



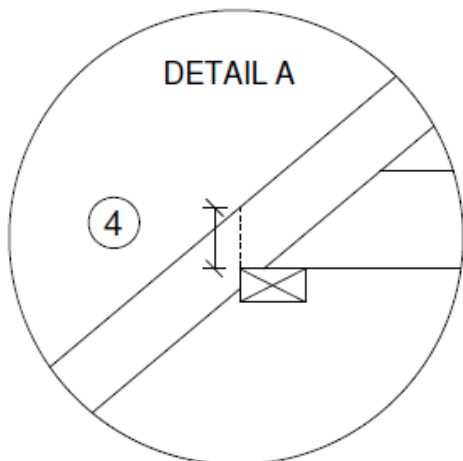
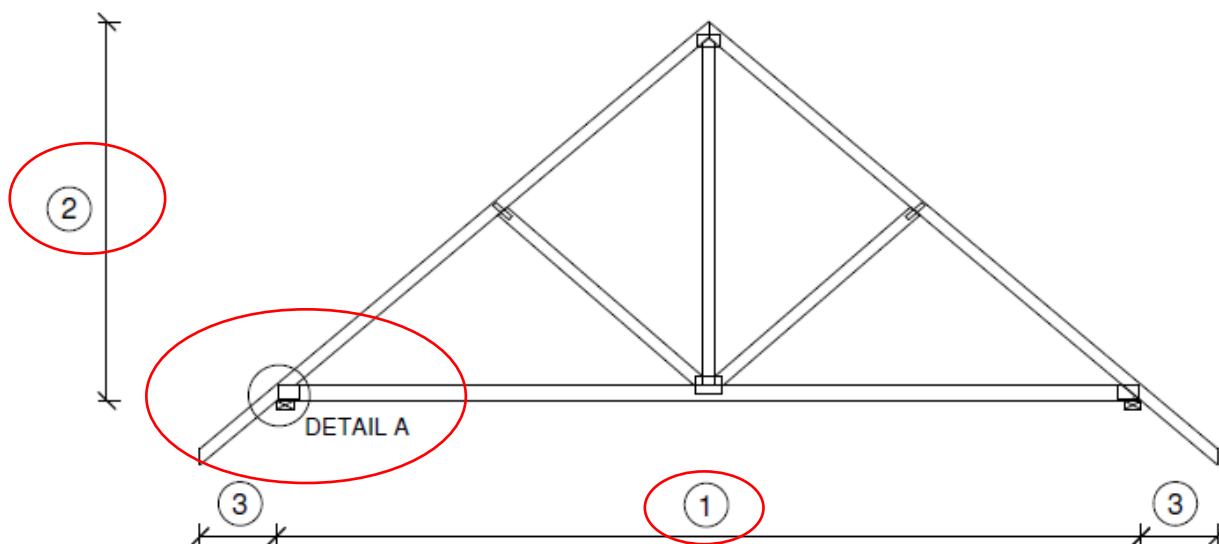
## Engineered Truss Systems Inc

370 Airlinks Drive ▪ Garden City, KS 67846  
 Phone: 620-276-6999 ▪ Fax: 620-276-6996



### MATCHING NEW TRUSSED RAFTERS TO AN EXISTING ROOF IN ORDER TO LINE THROUGH NEW TRUSSED RAFTERS WITH AN EXISTING TRUSSED OR CUT ROOF THE FOLLOWING FIVE DIMENSIONS ARE REQUIRED.

THESE DIMENSIONS ARE YOUR RESPONSIBILITY. DIMENSION 4 IS CRITICAL TO ENSURE  
 THAT THE PITCH IS CORRECT.



1. SPAN OVERALL WALLPLATES \_\_\_\_\_
2. HEIGHT FROM THE TOP OF RIDGE TO  
 UNDERSIDE OF CEILING TIE IF PITCH IS  
 UNKNOWN \_\_\_\_\_
3. LENGTH OF OVERHANG HORIZONTAL  
 DIMENSION FROM WALLPLATE TO FASCIA  
 \_\_\_\_\_
4. VERTICAL HEIGHT FROM OUTSIDE OF  
 WALLPLATE TO TOP OF RAFTER (PLUMB  
 CUT) \_\_\_\_\_
5. EXISTING RAFTER SIZE \_\_\_\_\_

PLEASE ALSO ADVISE US IF THE WALLPLATES ON YOUR EXTENSION ARE IN LINE  
 WITH YOUR EXISTING WALLPLATE.